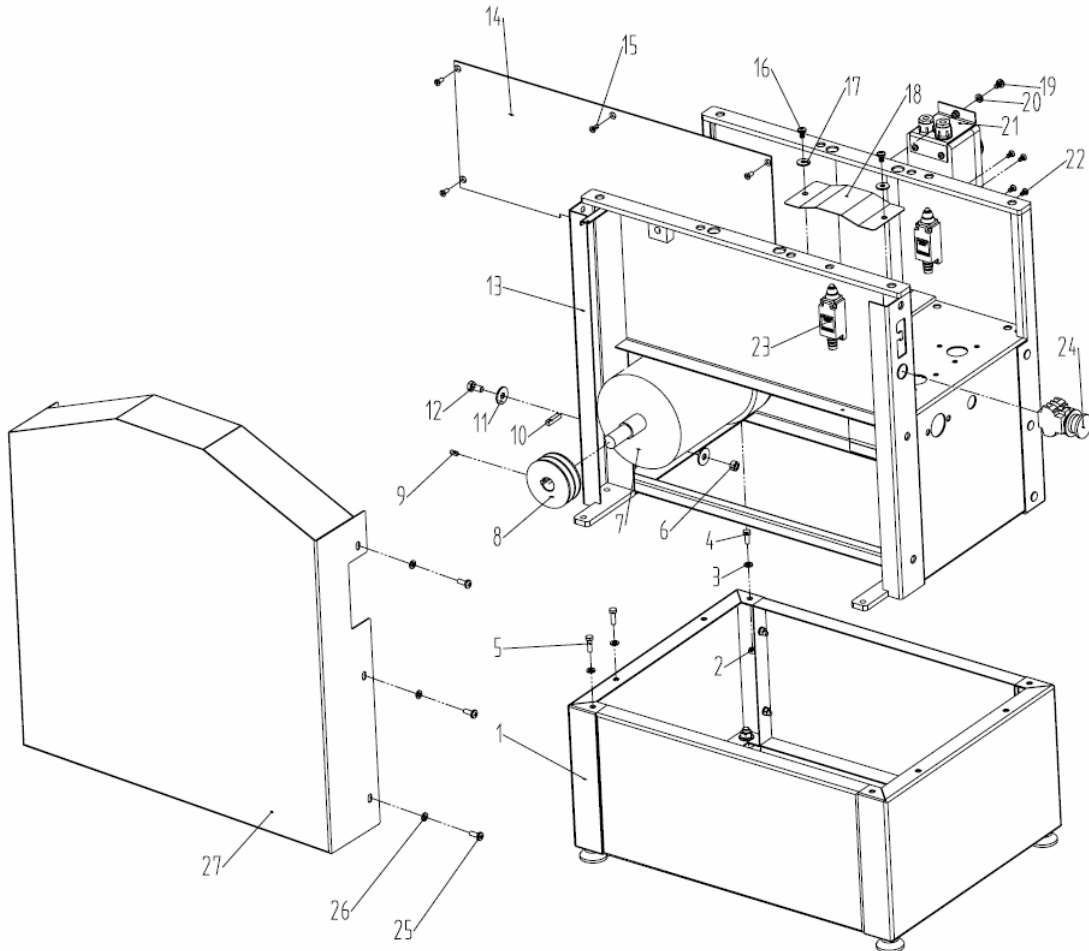


39.2 Explosionszeichnung / explosion drawing

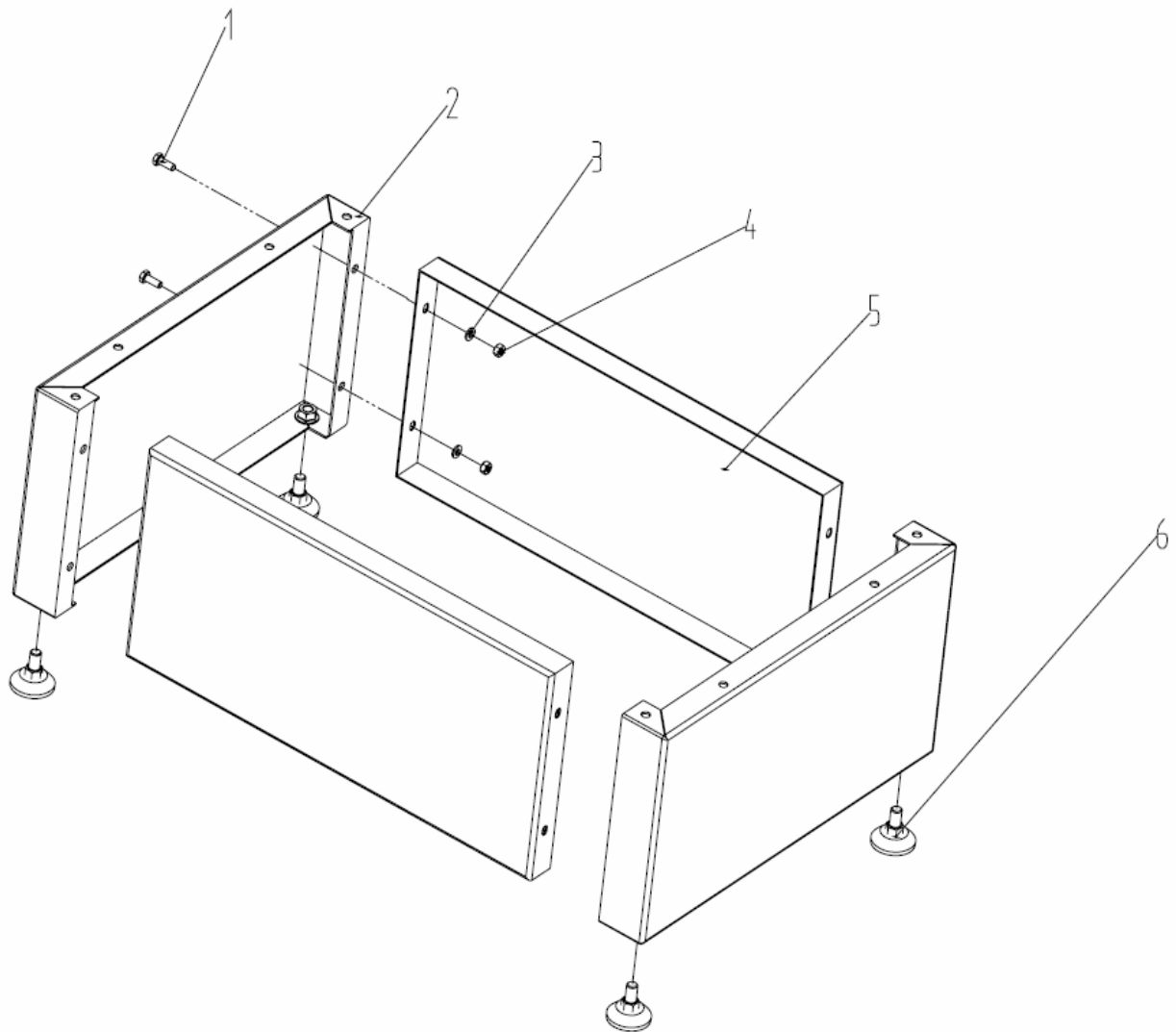
PLANER & THICKNESSER STAND ASSEMBLY



PARTS LIST FOR PLANER & THICKNESSER STAND ASSEMBLY

NO.	CODE	DESCRIPTION	QTY	NO.	CODE	DESCRIPTION	QTY
1	M06-2	Lower stand	1	2	GB6170-86	Hex nut M6	6
3	GB97.1-85	Washer ϕ 6	6	4	GB5783-86	Hex bolt M6X16	2
5	GB5783-86	Hex bolt M6X20	4	6	GB6170-86	Hex nut M8	4
7	M0607	Motor	1	8	M0606	Motor pulley	1
9	GB80-85	Setscrew M6X12	1	10	GB1096-79	Key 6X25	1
11	GB97.1-85	Washer ϕ 8	8	12	GB5783-86	Hex bolt M8X16	4
13	M0603	Stand assembly	1	14	M0609	Right plate	1
15	GB819-85	Screw M5X10	5	16	GB818-85	Screw M6X10	4
17	GB97.1-85	Washer ϕ 6	4	18	M0602	Cover board	2
19	GB818-85	Screw M6X10	2	20	GB97.1-85	Washer ϕ 6	2
21	KJD12	Switch	1	22	GB819-85	Screw M5X10	8
23	WDKG	Inching switch	1	24	JTKG	Emergency switch	1
25	GB818-85	Screw M6X16	6	26	GB97.1-85	Washer ϕ 6	6
27	M0601	Protective cover	1				

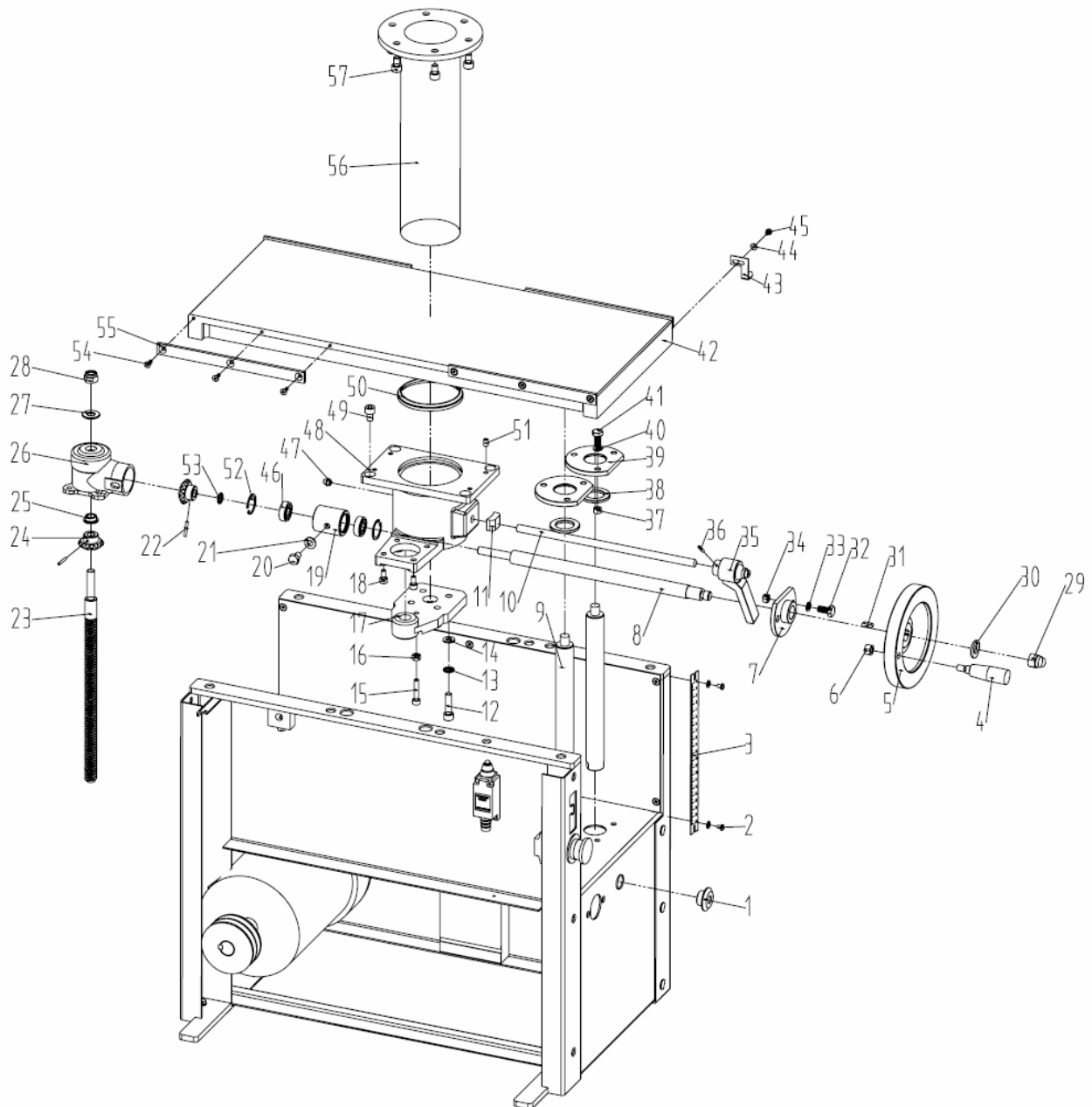
PLANER & THICKNESSER LOWER STAND ASSEMBLY



PARTS LIST FOR PLANER & THICKNESSER LOWER STAND

NO.	CODE	DESCRIPTION	QTY	NO.	CODE	DESCRIPTION	QTY
1	GB5783-86	Hex bolt M6X16	8	2	M0610	Lower leg	2
3	GB97.1-85	Washer ϕ 6	8	4	GB6170-86	Hex nut M6	8
5	M0611	Cover board	2	6	M0613	Underprop	4

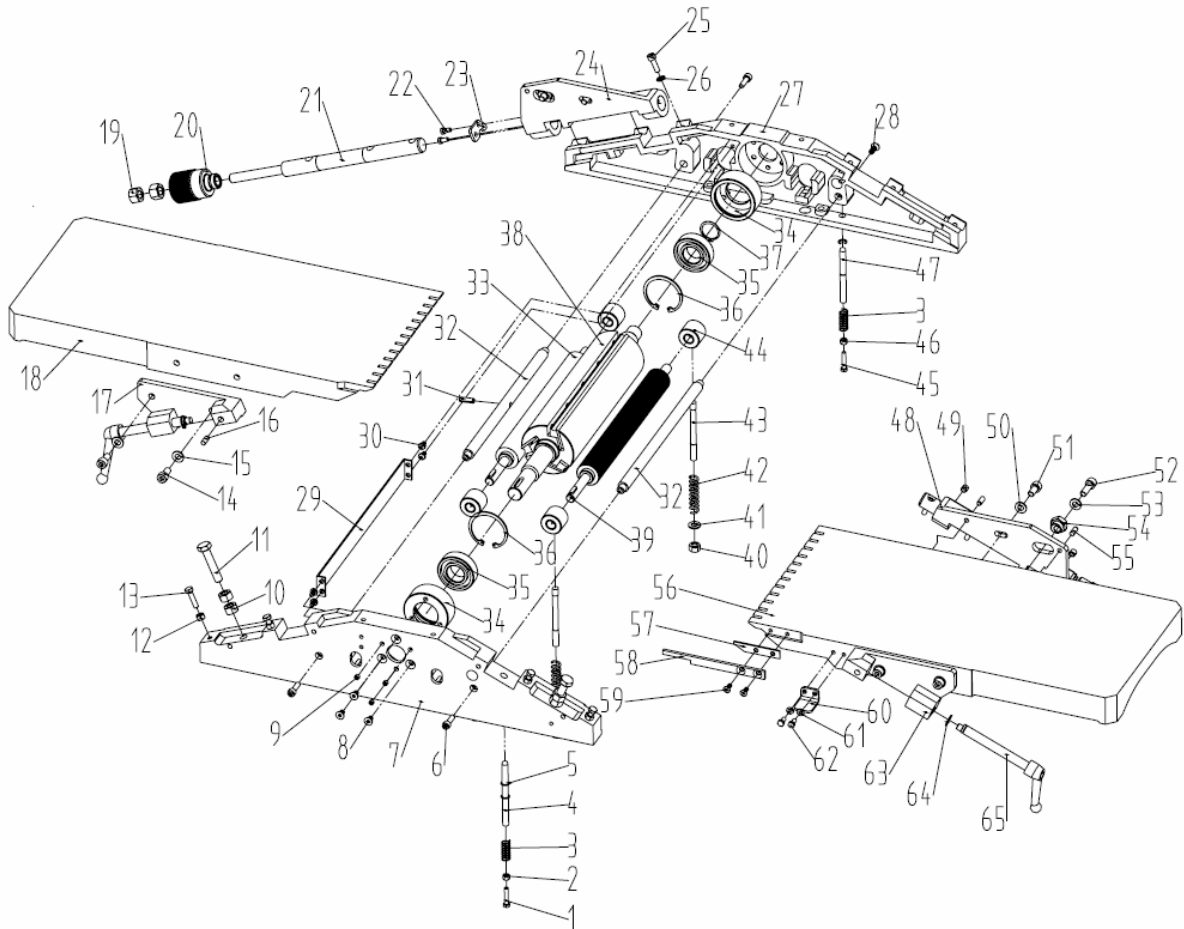
PLANER&THICKNESSER THICKNESSING TABLE ASSEMBLY



PARTS LIST FOR PLANER&THICKNESSER THICKNESSING TALBLE ASSEMBLY

NO.	CODE	DESCRIPTION	QTY	NO.	CODE	DESCRIPTION	QTY
1	M0716	Nylon bush	1	2	GB818-85	Screw M4X6	2
3	M12	Depth scale	1	4	M0715-1	Handle	1
5	M0715-2	Hand wheel	1	6	GB6170-86	Hex nut M8	1
7	M0710	Plate	1	8	M0713	Shaft	1
9	M0703	Adjusting bar	2	10	M0711.1	Locking bar	1
11	M0718	Locking block	1	12	GB70-85	Socket cap screw M8X30	4
13	GB93-87	Spring washer ϕ 8	4	14	GB97.1-85	Washer ϕ 8	4
15	GB70-85	Socket cap screw M6X30	1	16	GB6170-86	Hex nut M6	1
17	M0712	Plate	1	18	GB70-85	Socket cap screw M6X12	4
19	M0719	Bearing bush	1	20	GB5783-86	Hex bolt M8X12	1
21	GB97.1-85	Washer ϕ 8	1	22	GB879-86	Spring pin 3X20	2
23	M0714	Guide screw	1	24	K1008	Cone gear	2
25	M0720	Bush	1	26	M0717	Gear box	1
27	GZZC	Flat bearing	1	28	ZSM10	Locknut M10	1
29	GB923-88	Domed cap nut M12	1	30	GB97.1-85	Washer ϕ 12	1
31	GB1096-79	Key 5X15	1	32	GB5783-86	Hex bolt M6X16	2
33	GB97.1-85	Washer ϕ 6	2	34	GB6170-86	Hex nut M6	2
35	M0711	Locking handle	1	36	GB879-86	Spring pin 3X20	1
37	GB6170-86	Hex nut M6	6	38	M0701	Washer	2
39	M0702	Plate	2	40	GB97.1-85	Washer ϕ 6	6
41	GB5783-86	Hex bolt M6X16	6	42	M0705	Thicknesser table	1
43	M0706	Lifting pointer	1	44	GB97.1-85	Washer ϕ 4	3
45	GB818-85	Screw M4X6	3	46	GB/T276-94	Bearing 6000	2
47	YZYB	Grease cup M8X1	1	48	M0709	Lifting tube bracket	1
49	GB70-85	Socket cap screw M8X12	4	50	M0708	Seal	1
51	GB77-85	Set screw M6X10	4	52	GB893.1-86	"C"ring ϕ 26	4
53	M0721	Space bush	1	54	GB819-85	Screw M4X12	12
55	M0707	Limited bar	4	56	GB70-85	Socket cap screw M8X12	6
57	M0704	Lifting tube	1				

PLANER&THICKNESSER PLANER TABLE ASSEMBLY

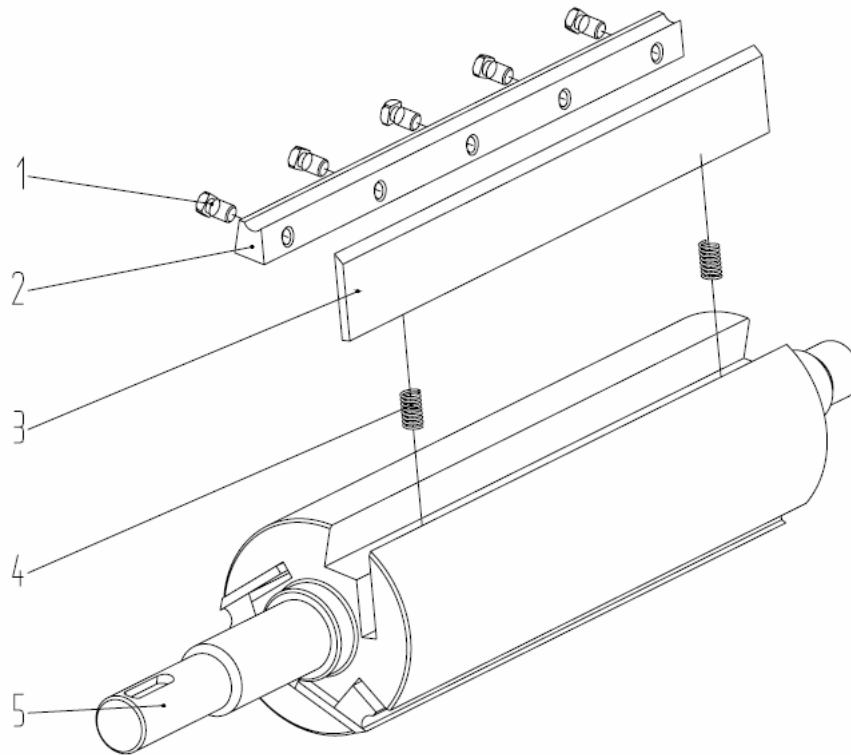


PARTS LIST FOR PLANER&THICKNESSER PLANER TABLE ASSEMBLY

NO.	CODE	DESCRIPTION	QTY	NO.	CODE	DESCRIPTION	QTY
1	GB5783-86	Hex bolt M5X25	1	2	GB6170-86	Hex nut M5	1
3	M081213	Spring	2	4	M081205-1	Limited pole	1
5	GB896-86	"E" ring ϕ 6	3	6	GB70-85	Socket cap screw M6X20	3
7	M081202	Left bracket	1	8	NCM	Socket countersunk screw M6X10	6
9	GB77-85	Set screw M6X5	6	10	GB6170-86	Hex nut M10	4
11	GB5783-86	Hex bolt M10X50	2	12	GB6170-86	Hex nut M6	4
13	GB5783-86	Hex bolt M6X25	4	14	GB70-85	Socket cap screw M8X16	4
15	GB97.1-85	Washer ϕ 8	4	16	GB119-86	Pin 6X16	2
17	M1102	Locking block	1	18	M1101	Outfeed table	1
19	GB6170-86	Hex nut M12	4	20	M1011	Adjusting wheel	2

21	M1006	Adjusting axle	2	22	GB5783-86	Hex bolt M5X10	4
23	M1007	Metal plate	2	24	M1103	Adjusting wing	1
25	GB70-85	Socket cap screw M6X20	6	26	GB93-87	Springwasher ϕ 6	6
27	M081201	Right bracket	1	28	NCM	Socket countersunk screw M6X16	1
29	M081208	Protective plate	1	30	GB818-85	Screw M5X8	4
31	GB879-86	Spring pin 6X20	1	32	M0904	Support axle	2
33	M081209	Driven roller	1	34	M081204	Bearing bush	2
35	GB/T276-94	Bearing 6205	2	36	GB893.1-86	“C” ring ϕ 52	2
37	GB894.1-86	“C” ring ϕ 25	1	38	M081207	Cutter block	1
39	M081206	Driving roller	1	40	GB6170-86	Hex nut M8	4
41	GB/T848-85	Small washer ϕ 8	4	42	M081211	Spring	4
43	M081212	double-edged bolt	4	44	M081203	Bush	4
45	GB5783-86	Hex bolt M5X25	1	46	GB6170-86	Hex nut M5	1
47	M081205-2	Limited bar	1	48	M1005	Adjusting wing	1
49	GB77-85	Set screw M8X8	4	50	GB97.1-85	Washer ϕ 8	2
51	GB70-85	Socket cap screw M8X16	2	52	GB70-85	Socket cap screw M8X25	2
53	GB97.1-85	Washer ϕ 8	2	54	M1004	Eccentric bush	2
55	GB119-86	Pin 6X16	4	56	M1001	Infeed table	1
57	M1010	Space plate	1	58	M1009	Locking plate	1
59	GB819-85	Screw M5X12	2	60	M1013	Press plate	1
61	GB97.1-85	Washer ϕ 5	2	62	GB5783-86	Hex bolt M5X10	2
63	M1002	Locking block	1	64	GB894.1-86	“C” ring ϕ 12	2
65	M1003	Locking handle	2				

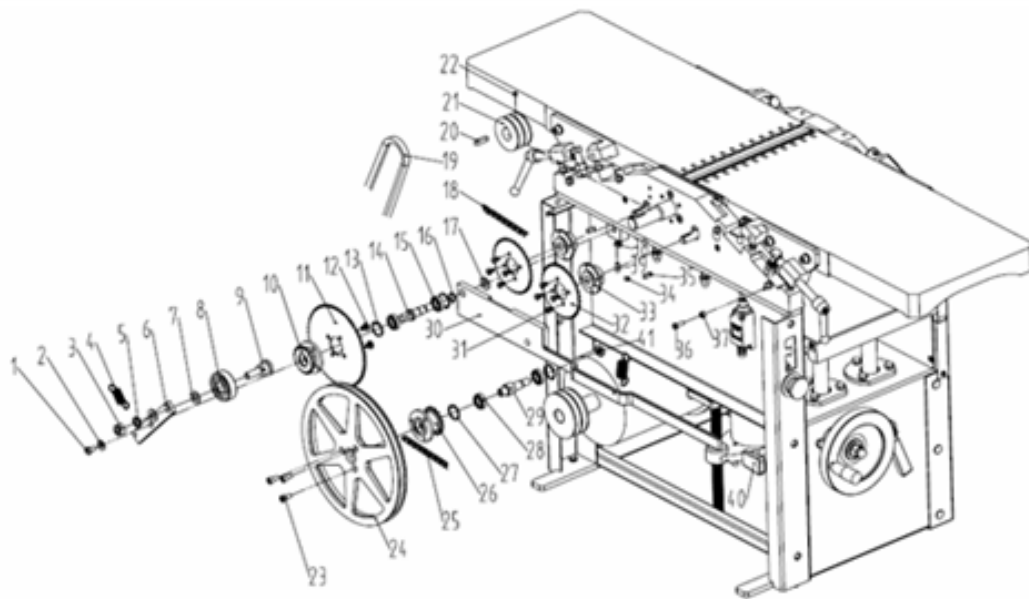
PLANER&THICKNESSER CUTTER BLOCK ASSEMBLY



PARTS LIST FOR PLANER&THICKNESSER CUTTER BLOCK ASSEMBLY

NO.	CODE	DESCRIPTION	QTY	NO.	CODE	DESCRIPTION	QTY
1	M081207.3	Square toes bolt	15	2	M081207.2	Blade locking block	3
3	M081207.5	Blade	3	4	M081207.4	Spring	6
5	M081207.1	Cutter block	1				

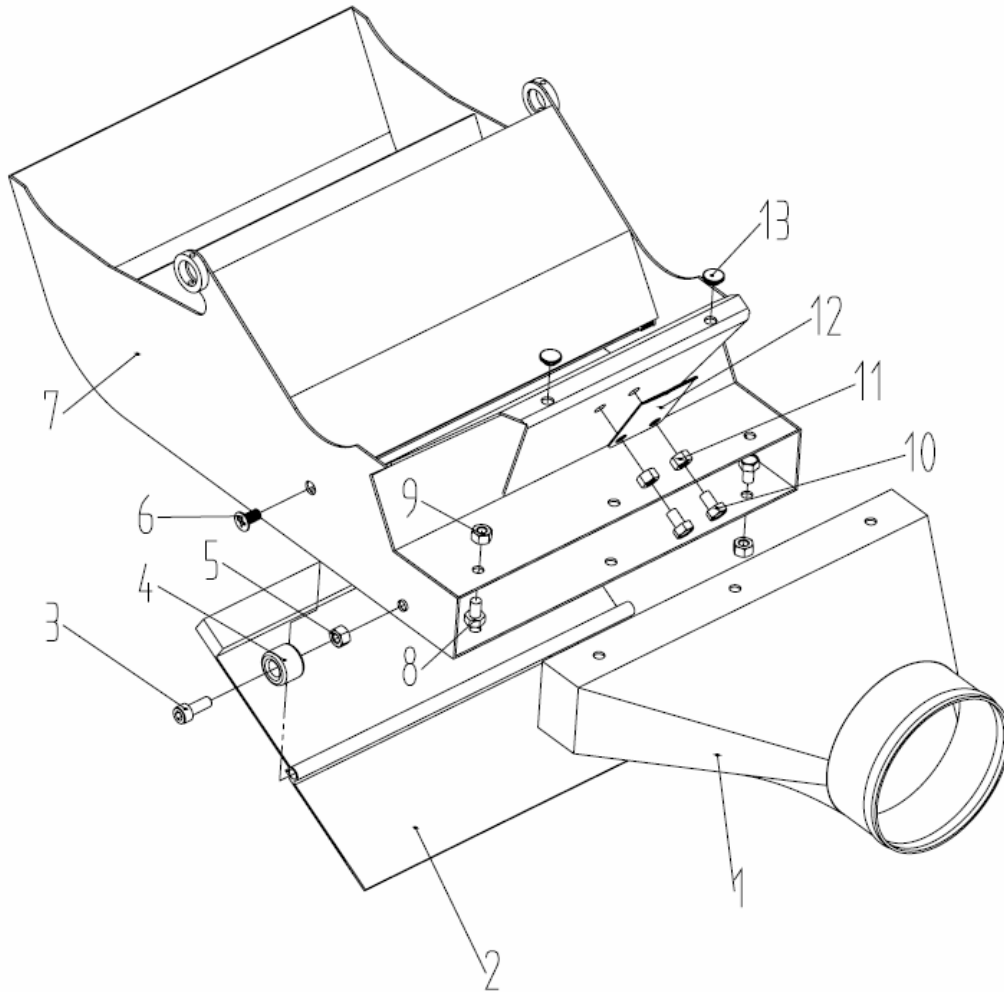
PLANER&THICKNESSER THICKNESSER CLUTCH ASSEMBLY



PARTS LIST FOR PLANER&THICKNESSER THICKNESSER CLUTCH ASSEMBLY

NO.	CODE	DESCRIPTION	QTY	NO.	CODE	DESCRIPTION	QTY
1	GB5783-86	Hex bolt M6X10	1	2	GB97.1-85	Washer ϕ 6	1
3	GB6170-86	Hex nut M10	1	4	M082218	Pull spring	2
5	GB93-87	Spring washer ϕ 10	1	6	M082202	plate	1
7	GB97.1-85	washer ϕ 10	2	8	GB/T276-94	Bearing 80303	1
9	M082217	Pin axle	1	10	M082205	Sprocket	1
11	M082201	Sprocket	1	12	GB818-85	Screw M6X8	4
13	GB893.1-86	"C" ring ϕ 24	2	14	M082215	Long pin	1
15	GB/T276-94	Bearing 61901	2	16	GB894.1-86	"C" ring ϕ 12	1
17	GB97.1-85	Washer ϕ 10	1	18		Chain	1
19	SJD	V-belt	2	20	GB1096-79	Pin 6X25	1
21	M082208	Cutter block pulley	1	22	GB77-85	Screw M6X5	1
23	GB70-85	Socket cap screw M6X14	3	24	M082213	Wheel	1
25		Chain	1	26	M082207	Sprocket	1
27	GB893.1-86	"C" ring ϕ 24	2	28	GB/T276-94	Bearing 61901	2
29	M082216	Short pin	1	30	M082206	Control handle	1
31	GB818-85	Screw M5X8	8	32	M082210	Sprocket	2
33	M082210.1	Sprocket plate	2	34	GB77-85	Set screw M6X8	2
35	GB1096-79	Key 5X16	2	36	GB818-85	Screw M5X16	1
37	GB6170-86	Hex nut M5	1	38	GB6170-86	Hex nut M6	1
39	GB80-85	Set screw M6X20	1	40	M082219	Handle	1
41	GB6173-86	Hex thin nut M10	1				

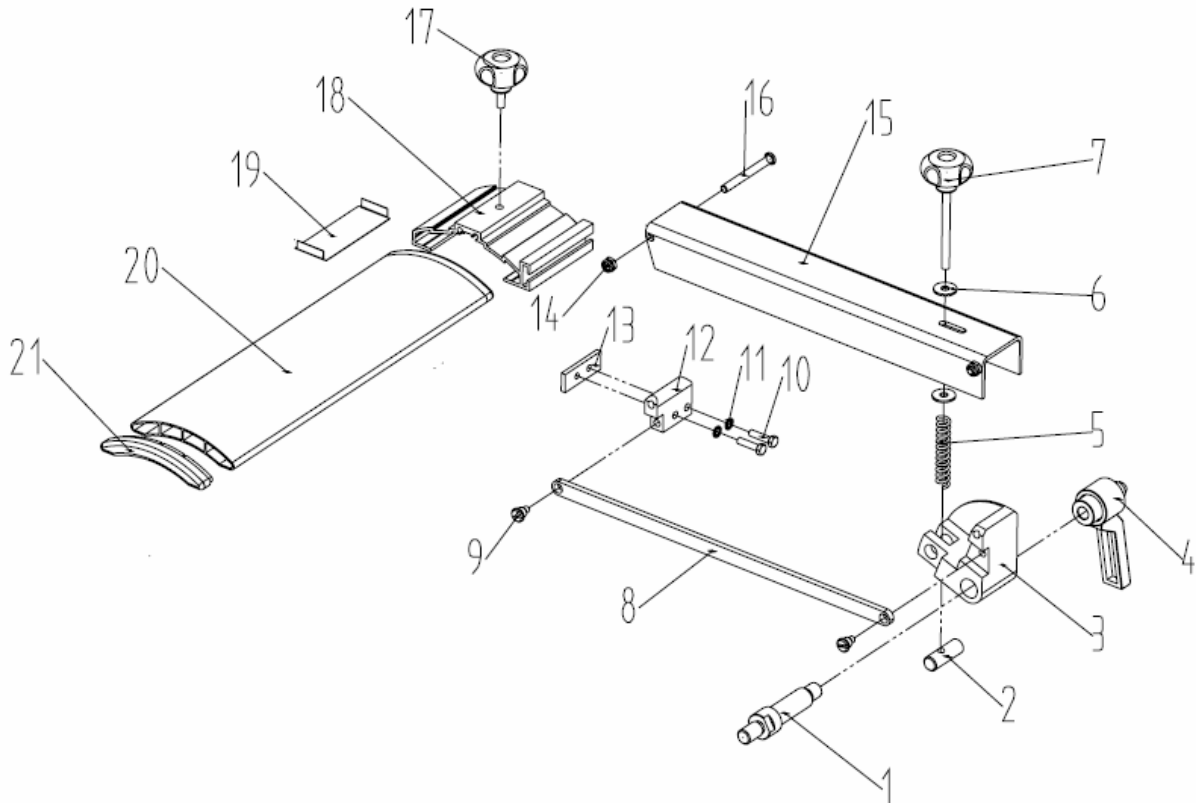
PLANER&THICKNESSER EXTRACTION DUST ASSEMBLY



PARTS LIST FOR PLANER&THICKNESSER EXTRACTION DUST ASSEMBLY

NO.	CODE	DESCRIPTION	QTY	NO.	CODE	DESCRIPTION	QTY
1	M0901.1	Dust extraction hood	1	2	M0901.7	Turning plate	1
3	GB70-85	Socket cap screw M6X16	1	4	M0906	Rubber tray	1
5	GB6170-86	Hex nut M6	1	6	GB819-85	Screw M6X12	2
7	M0901	Dust chute	1	8	GB5783-86	Hex bolt M6X10	6
9	GB6170-86	Hex nut M6	6	10	GB5783-86	Hex bolt M6X10	2
11	GB6170-86	Hex nut M6	2	12	M0907	Locking plate	1
13	M0905	Damping tray	2				

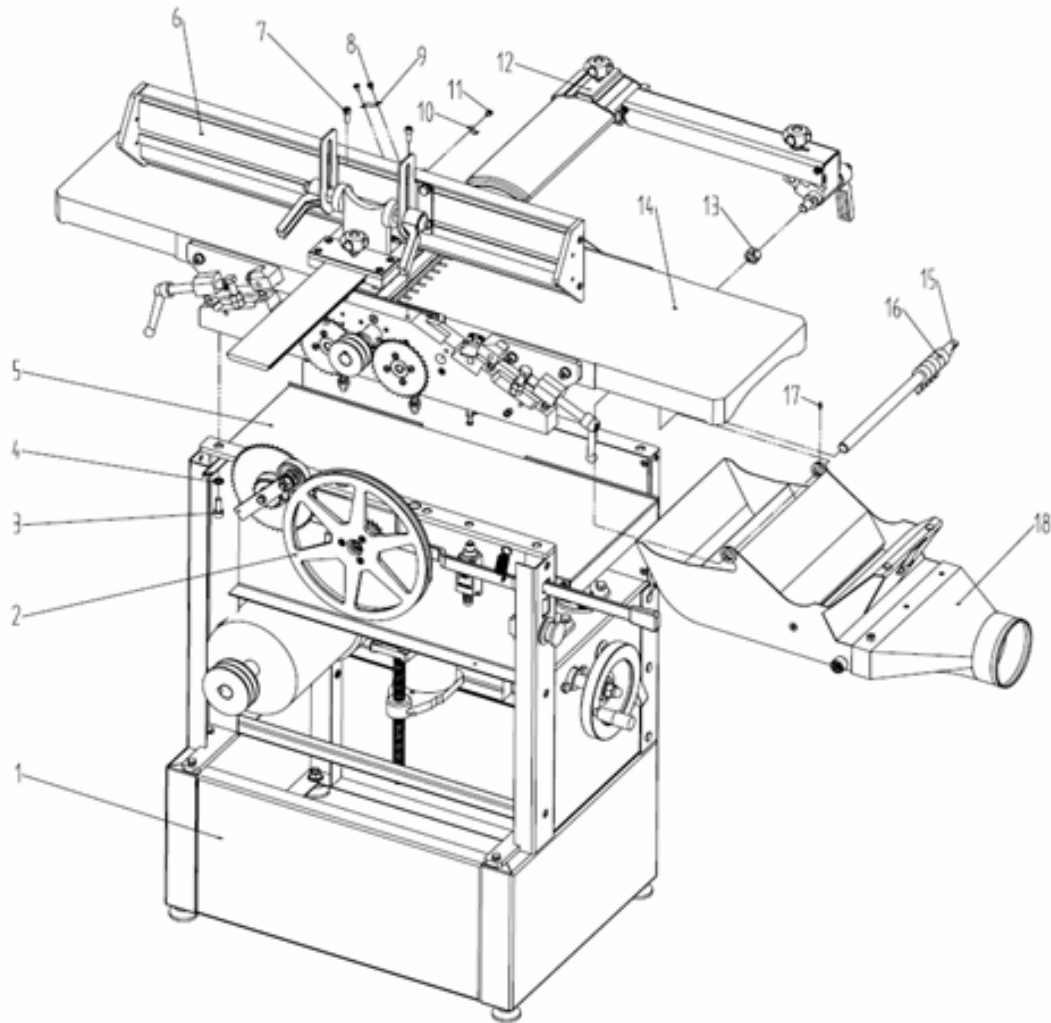
PLANER&THICKNESSER PROTECTIVE COVER ASSEMBLY



PARTS LIST FOR PLANER&THICKNESSER PROTECTIVE COVER ASSEMBLY

NO.	CODE	DESCRIPTION	QTY	NO.	CODE	DESCRIPTION	QTY
1	M1012.1	Locking pole	1	2	M1602	Rotor	1
3	M1610	Sector plate	1	4	M1012	Locking handle	1
5	M1603	Spring	1	6	GB96-85	Large washer ϕ 6	2
7	M1605	Adjusting handle	1	8	M1609	Connecting pole	2
9	M1611	Pin bolt	2	10	GB5783-86	Hex bolt M5X20	2
11	GB93-87	Spring washer ϕ 5	2	12	M1612	Rock block	1
13	M1606	Fixing plate	1	14	ZSM	Locking nut M6	2
15	M1601	U-shaped arm	1	16	M1613	Long pin	1
17	M1614	Locking handle	1	18	M1608	Crust	1
19	M1604	Saucer	1	20	M1607	Protective plate	1
21	M1615	Plastic insert	2				

PLANER&THICKNESSER ASSEMBLY



PARTS LIST FOR PLANER&THICKNESSER ASSEMBLY

NO.	CODE	DESCRIPTION	QTY	NO.	CODE	DESCRIPTION	QTY
1	M06	Stand assembly	1	2	M0822	Thicknesser clutch assembly	1
3	GB70-85	Socket cap screw M8X20	8	4	GB93-87	Spring washer ϕ 8	8
5	M07	Thickening table assembly	1	6	M14	Fence assembly	1
7	GB70-85	Socket cap screw M6X16	2	8	GB818-85	Screw M4X6	2
9	M18	Infeed scale	1	10	M20	Infeed pointer	1
11	GB818-85	Screw M4X6	2	12	M16	Protective cover assembly	1
13	GB6170-86	Hex nut M12	1	14	M10	Planer table assembly	1
15	M0902	Rotor	1	16	M0903	Kick block	20
17	GB879-86	Spring pin 3X10	1	18	M09	Extraction dust assembly	1